

BASIC MACHINE DATA

ENGINE

Model	CAT® C7.1*
Net Flywheel power	228 HP/168 kW
Governed speed	2200 rpm
Displacement	6 in line cylinder

*optional engines: IVECO N67, PERKINS 1106D, also Available TIER III or TIER IV F / Stage V

TRANSMISSION

Type	Hydrostatic closed circuit
Brakes	2 integrated negative control
Final drives	Epicycloidal oil soaked
Maximum speed (empty)	1 speed - 5 km/h (4 km/h*) 2 speed - 9 km/h (7,5 km/h*)

*value with rubber tracks

CONTROLS

Type	Twin Axis Joystick
------	--------------------

PERFORMANCE

Max Slope 1 speed (empty)	36° / 80%
Max Slope 2 speed (empty)	18° / 40%
Departure Angle	20°
Approach Angle	26°

FLUID CAPACITIES

Fuel tank	125 lt
Hydraulic System circuit	133 lt
Cooling system	20 lt
Engine oil	16 lt
Final drive each	3,5+3,5 lt

HYDRAULIC SYSTEM

Main Pumps	2 Sauer Danfoss variable speed
Maximum capacity	165 lt/min
Maximum operating pressure	400 bar
Service pumps	1 gear pump
Maximum capacity	35 lt/min

TRACK FRAME

Material	S355 (eq A572 gr.50)
Platform Surface	7,1 sqm
Number of bottom rollers	8
Number of carrying rollers	2
Length of track on the ground	3030 mm
Standard shoes width	500 mm*
Ground contact area	3,63 sqm

*Optional shoes width : 600 mm

ELECTRIC SYSTEM

Operating voltage	24 V
Maintenance free supplied batteries	2x12 V
Total Battery Capacity	2x135 Ah
CCA	800 A
Alternator	85 A



Sandblasting Machine Version



Automatic Welding Version

TP-15 PAYWELDER

Our TP-15 is the perfect tractor for pipeline welding and not only. It has been designed in compliance with the most common requirements of pipeline contractors: it is very light, flexible and with excellent stability and traction.

The TP-15 is designed to be easily maintained at site: all its components such as transmission, engine, cranes, hydraulics etc.. have been selected from top suppliers with a global assistance network. In particular the TP-15 is powered by CAT® engines, the best solution for high reliability and best after sales service with the back up of the world leading manufacturer in the construction sector. Alternative engine manufacturer are available as an option.

Special care has been dedicated to the comfort of the driver:

- the crane and the gas bottle rack can be operated from the cabin
- the engine is sound proof
- the cabin is mounted on shock absorbers for best comfort
- Upon request front blade, A/C, Webasto, GPS and rear camera can be installed

Also safety has been taken into account and all the TP-15 adopt ROPS protection for the operator cabin.

To give the maximum flexibility and value-for-money at site, the TP-15 can be easily customized and used for many different purpose: the platform can be quickly dismantled and replaced with another one set for different purpose such as:

- Pipe Carrier
- Manual Welding
- Automatic Welding
- Dumper
- Crew transportation
- Sandblasting
- Induction Heating
- Water/Fuel tank

WELDING EQUIPMENT SERVICES

In order to provide a turn-key product Europipeline can deliver the paywelder already fitted with top brand welding inverters from Miller and Lincoln together with a compressor and dedicated diesel generator correctly sized for a reliable and quality welding at site.



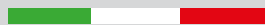
The herein shown dimensional drawings, technical data and performance charts of our manufactured pipelayer machines are to be deemed indicative. It is faculty of the manufacturer make some modifications of the proposed products, without any obligation of advanced notice.

TP-15 MULTIPURPOSE TRACTOR

Robust and multipurpose vehicle
Easy platform dismantling
Caterpillar Engine
Steel or rubber chain
Sauer-Danfoss hydrostatic transmission

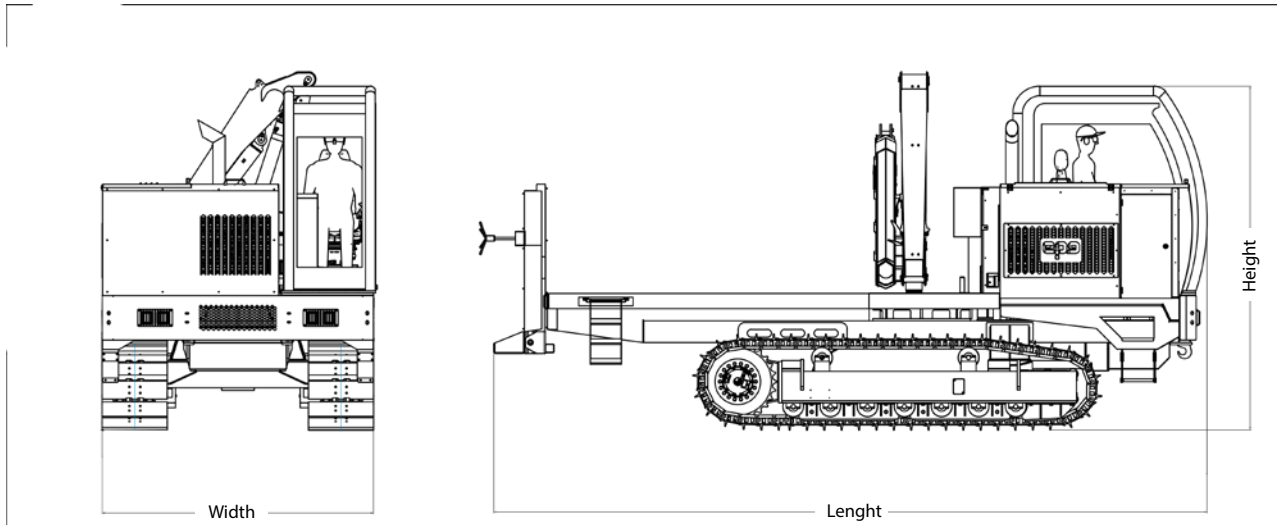


EUROPIPELINEGROUP



PIPELINE SOLUTIONS

DIMENSIONS AND WEIGHTS



DIMENSIONS

Width	2500 mm
Lenght	6550 mm*
Height	3300 mm

NET WEIGHT 10.000 KG

OPERATIONAL WEIGHT 15.000 KG

*length with bottlerack installed

Width may differ in case of TIER IV F/Stage V engines



EUROPIPELINEGROUP



Località Cascine Draghi
29013 Carpaneto Piacentino (PC)
ITALY

Registered Office

via Pontaccio 8
20121 Milan
ITALY

info@europipeline-equipment.com

www.europipeline-equipment.com